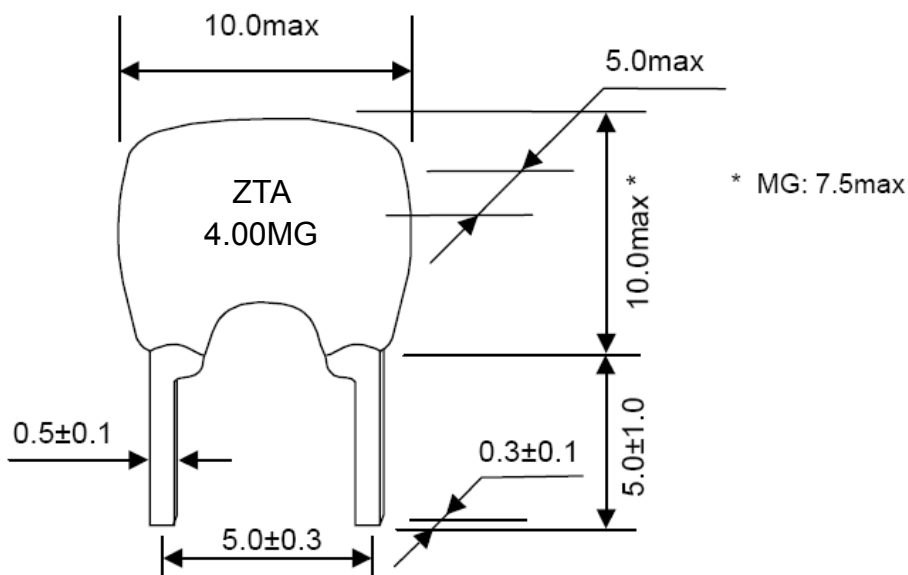


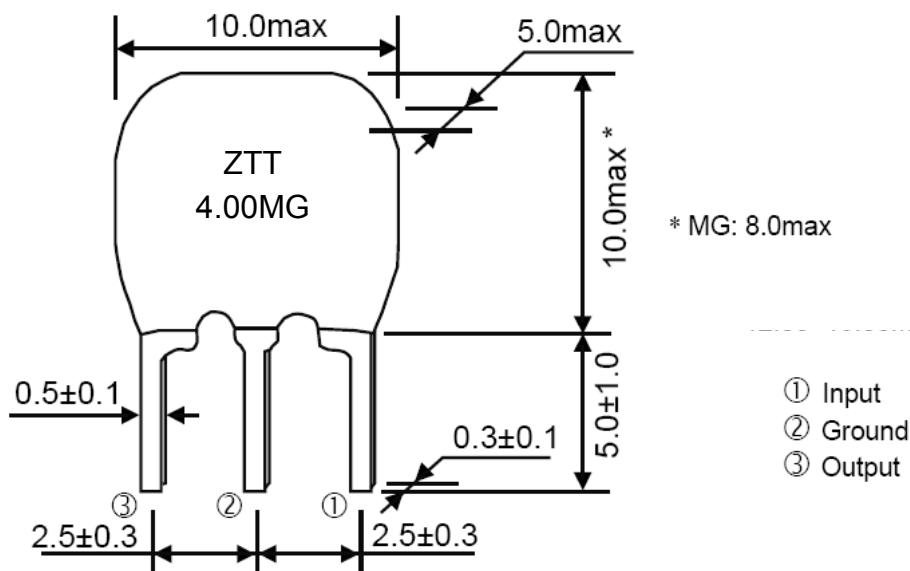
## ZTA/ZTT DIP MHZ Resonators

### ● Dimensions

#### ZTA Series



#### ZTT Series





## ● Technical Characteristics

### ZTA Series

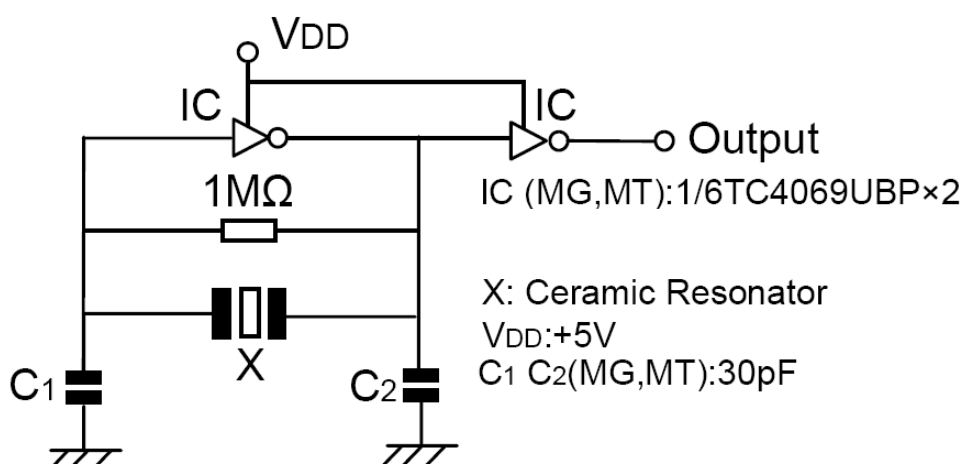
Part Number	Frequency Range (MHz)	Frequency Accuracy (%)	Stability in Temperature (-20°C ~ +80°C) (%)	Aging for Ten Years (%)
ZTA***MG	1.79 ~ 6.00	± 0.5	± 0.3	± 0.3

### ZTT Series

Part Number	Frequency Range (MHz)	Frequency Accuracy (%)	Stability in Temperature (-20°C ~ +80°C) (%)	Aging for Ten Years (%)
ZTT***MG	1.79 ~ 6.00	± 0.5	± 0.3	± 0.3

## ● DIP (ZTA/ZTT) Test Circuit for MOS IC

### ZTA Series



ZTT Series

