

VCTCXO

4 Pad Version 5.0×3.2 mm

- ±0.5~±2.5 ppm stability
- Clipped sine wave
- Low power consumption
- Reflow soldering temperature: 260°C max

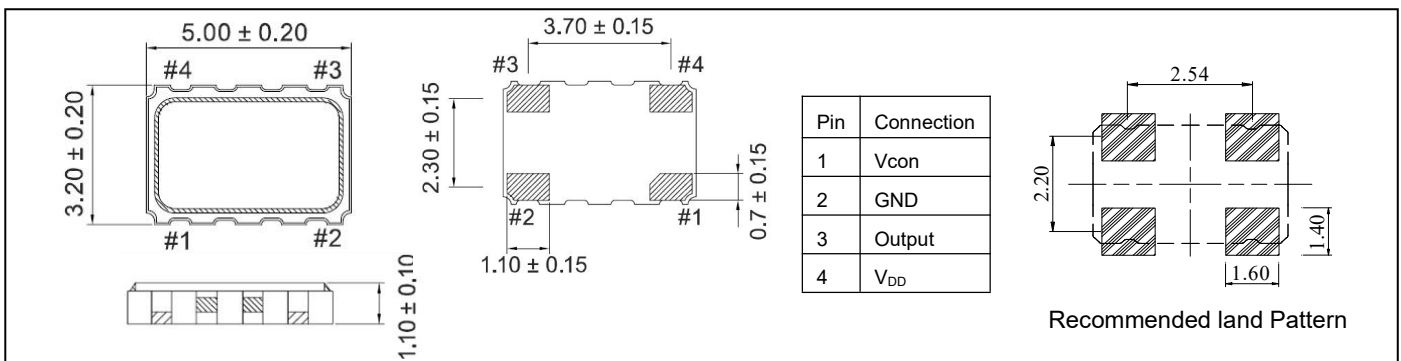


RoHS compliant

★ PARAMETERS

| PARAMETERS | SPECIFICATION | |
|-----------------------|---|--------------|
| Frequency Range | 10.0~40.0MHz | |
| Supply Voltage | 1.8V、2.5V、2.8V、3.3V | |
| Supply Current | 10MHz≤F0<15MHz: 1.5mA max 15MHz≤F0<26MHz: 2.0mA max 26MHz≤F0≤40MHz: 2.5mA max | |
| Frequency Tolerance | ±0.5ppm、±1.0ppm、±2.0ppm | |
| Frequency Stability | Vs Temperature (ref. to +25°C) | ±0.5~±2.5ppm |
| | Vs Supply voltage change (±5%) | ±0.2ppm |
| | Vs Load change (±10%) | ±0.2ppm |
| | Vs Aging (1 st Year ,25±2°C) | ±1.0ppm |
| Operating Temp. Range | -30~+85°C、-40~+85°C | |
| Storage Temp. Range | -55~+125°C | |
| Voltage Control Range | ±5.0ppm min | |
| Output Waveform: | Clipped Sine Wave | |
| Output Level: | 0.8 Vp-p Min (Clipped Sine Wave) | |
| Output Load | 10KΩ//10pF | |
| Symmetry | 45% ~ 55% typ. | |
| Start-up Time | 2.0mS max | |
| Phase Noise | -115 dBc/Hz max @100Hz offset | |
| | -135 dBc/Hz max @1KHz offset | |
| | -148 dBc/Hz max @10KHz offset | |

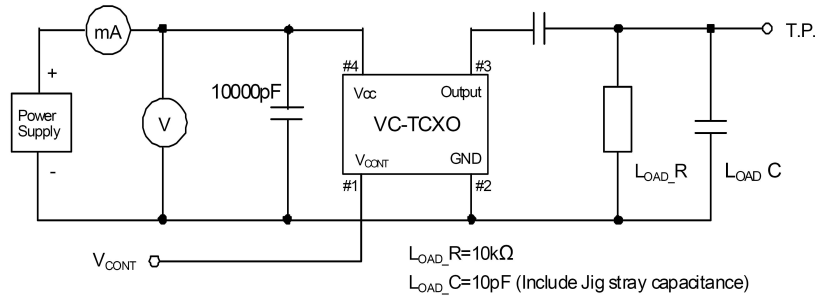
© All specification subject change without notice.

★ DIMENSIONS & LAND PATTERN LAYOUT (Unit: mm)

★ PART NUMBER GUIDE e.g. FVTO26.000M2.8SM5-1.0/2.5C (*SM5=5.0×3.2 SMD TYPE)

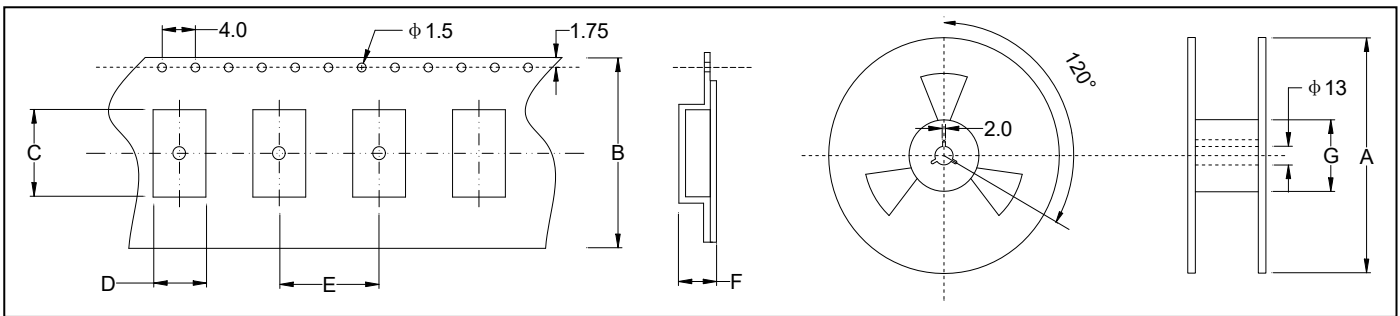
| Logo | VCTCXO | Frequency | Supply voltage V _{DD} | Package | Frequency Tolerance ppm | Frequency Stability ppm | Operating Temp. |
|------|--------|-----------|-----------------------------------|---------|----------------------------|----------------------------|-----------------|
| F | VTO | 26.000 | 3.0 | SM5 | 1.0 | 2.5 | C |

| Definition | Description | |
|-----------------------------|-----------------------|--------------|
| Operating Temperature Range | A: -10~+60°C | B: -20~+70°C |
| | C: -30~+80°C | D: -40~+85°C |
| | S: Customer specified | |

★ TEST CIRCUIT

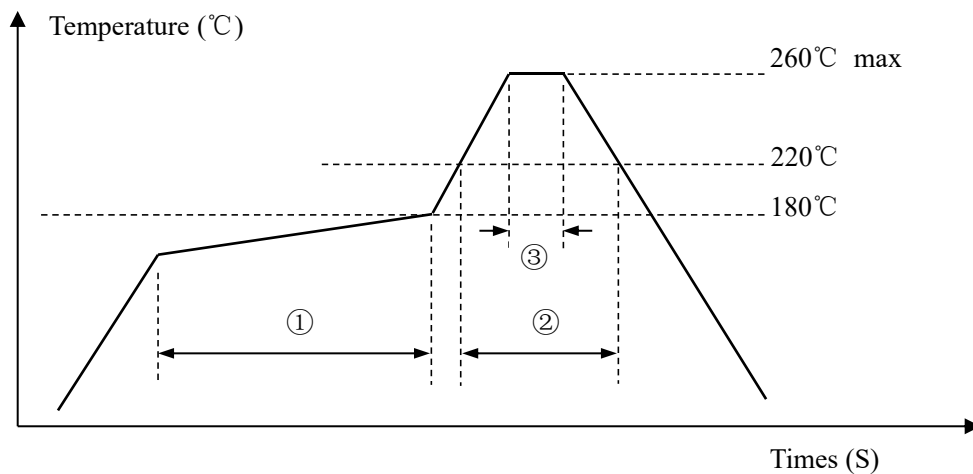


★ TAPING SPECIFICATION (Unit: mm)



| | A | B | C | D | E | F | G |
|-------------------|---------|----------|-----------|-----------|---------|---------|----------|
| VCTCXO-SMD5032 | 178±2.0 | 12.0±0.3 | 5.40±0.10 | 3.60±0.10 | 8.0±0.1 | 1.4±0.1 | 60.5±1.0 |
| 1000 pcs per reel | | | | | | | |

★ REFLOW SOLDERING PROFILE



| Pb free reflow A | ① | Preheat | 160~180°C | 120sec. max |
|---------------------|---|--------------|-----------|-------------|
| | ② | Primary heat | 220°C | 60sec. max |
| | ③ | Peak | 260°C | 10sec. max. |