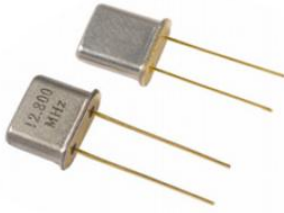


## DIP QUARTZ CRYSTAL RESONATOR



### 2 Pin Dip Crystal 5.8×3.2 mm UM-5

- Resistance welded
- ±2.5ppm available
- Wide frequency range
- AT Cut



RoHS compliant

#### ★ 1. PARAMETERS

PARAMETERS	SPECIFICATION
Frequency Range	8.0 ~ 200MHz
Operation Mode	See Table 3
Loading Capacitance	20pF Std. 8 to 33pF , Series available
Drive Level	100 μ W ( 300 μ W Max )
Frequency Tolerance	±5ppm ~ ±30ppm ( at 25°C )
Equivalent Resistance	See Table 3
Frequency Stability	±2.5ppm ~ ±30ppm
Operating Temp. Range:	0 ~ +50°C to -40 ~ +85°C
Storage Temp. Range:	-55 ~ +125°C

○ All specification subject change without notice.

#### ★ 2.FREQUENCY STABILITY VS. TEMPERATURE

Operation Temperature Range	Frequency Stability				
	±2.5ppm	±5ppm	±10ppm	±20ppm	±30ppm
0°C~+50°C	○	○	○	○	○
-10°C~+60°C	○	○	●	○	○
-20°C~+70°C		○	○	●	○
-40°C~+85°C				○	●

● standard ○ available

#### ★ 3. ESR (SERIES RESISTANCE RS)

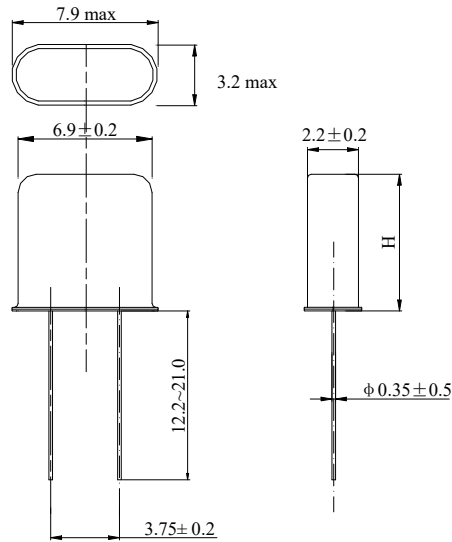
Frequency	Mode	UM-1 ( Ω max )	UM-5 ( Ω max )
8.0-15.0MHz	FUND.	40	/
15.1-20.0MHz	FUND.	30	40
20.1-30.0MHz	FUND.	25	35
30.1-105.0MHz	3 <sup>rd</sup> Overtone	45	45
60.0-150.0MHz	5 <sup>rd</sup> Overtone	100	100
150.0-200.0MHz	7 <sup>rd</sup> Overtone	150	150

#### ★ PART NUMBER GUIDE e.g.FTX16.000M20U5-10/10B (\* U5=UM-5)

Logo	Quartz Crystal Resonator	Frequency Hz	Load Capacitance pF	Package	Frequency Tolerance ppm	Frequency Stability ppm	Operating Temp. Range
FT	X	16.000M	20	U5	10	10	B

Definition	Description	
Operating Temperature Range	<b>A:</b> -10~+60°C	<b>B:</b> -20~+70°C
	<b>C:</b> -30~+80°C	<b>D:</b> -40~+85°C
	<b>S:</b> Customer specified	

★ DIMENSIONS (Unit: mm)



	H
UM-5	5.8 mm max

★ WAVE SOLDERING PROFILE

