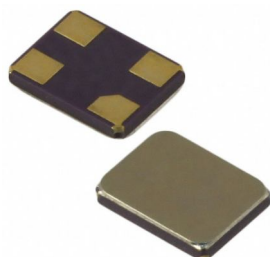


SMD QUARTZ CRYSTAL RESONATOR

石英晶体谐振器



4 Pad Version 1.6×1.2 mm

- ±10 ppm type available
- Excellent Reliability Performance
- EMI shielding possible by grounded lid
- Reflow soldering temperature: 260°C max
- Ultra-small package



RoHS compliant

★ PARAMETERS 技术参数

PARAMETERS	参数	SPECIFICATION 规格
Frequency Range	频率范围	24~60MHz
Operation Mode	振动模式	Fundamental
Loading Capacitance	负载电容	9pF Std. 8 to 32pF / Series available
Drive Level	激励电平	10 μ W (100 μ W Max)
Frequency Tolerance	频率偏差	±10ppm~±30ppm (at 25°C)
Equivalent Resistance	谐振电阻	150 Ω Max
Frequency Stability	频率稳定性	±10ppm~±30ppm
Operating Temp. Range:	工作温度范围	-10~+60°C to -40~+85°C
Storage Temp. Range:	储存温度范围	-55~+125°C

○ All specification subject change without notice. 规格变化, 恕不另行通知。

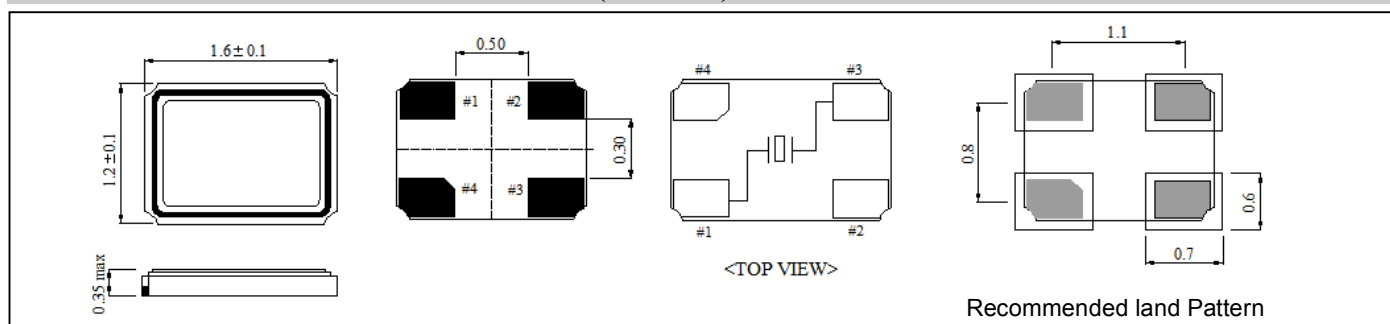
★ FREQUENCY STABILITY VS. TEMPERATURE 频率温度特性 **★ ESR (SERIES RESISTANCE RS) 谐振电阻**

Operation Temperature Range	Frequency Stability			
	±10ppm	±15ppm	±20ppm	±30ppm
-10°C~+60°C	●	○	○	○
-20°C~+70°C	○	○	●	○
-40°C~+85°C		○	○	●

Frequency	Vibration Mode	ESR
24-25.999MHz	AT CUT/FUND.	150Ω(MAX)
26-39.999MHz	AT CUT/FUND.	120Ω(MAX)
40-54.000MHz	AT CUT/FUND.	100Ω(MAX)

● standard ○ available

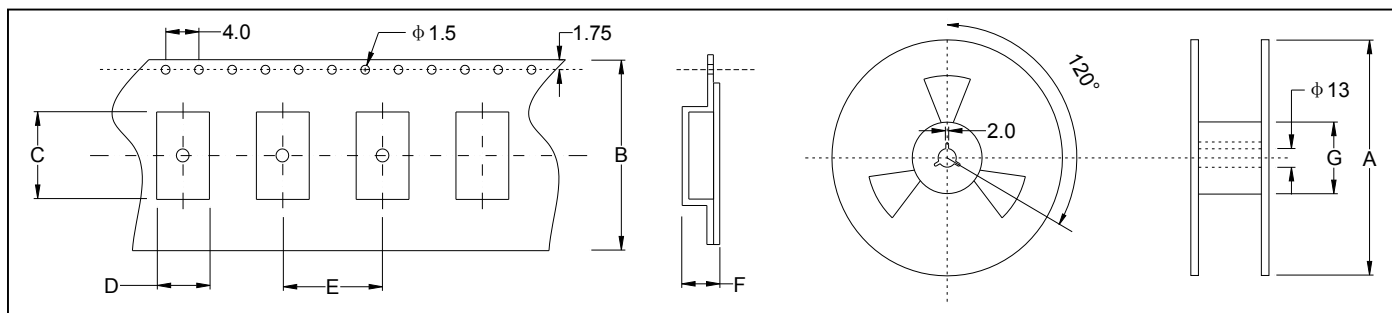
★ DIMENSIONS & LAND PATTERN LAYOUT (Unit: mm) 外形尺寸



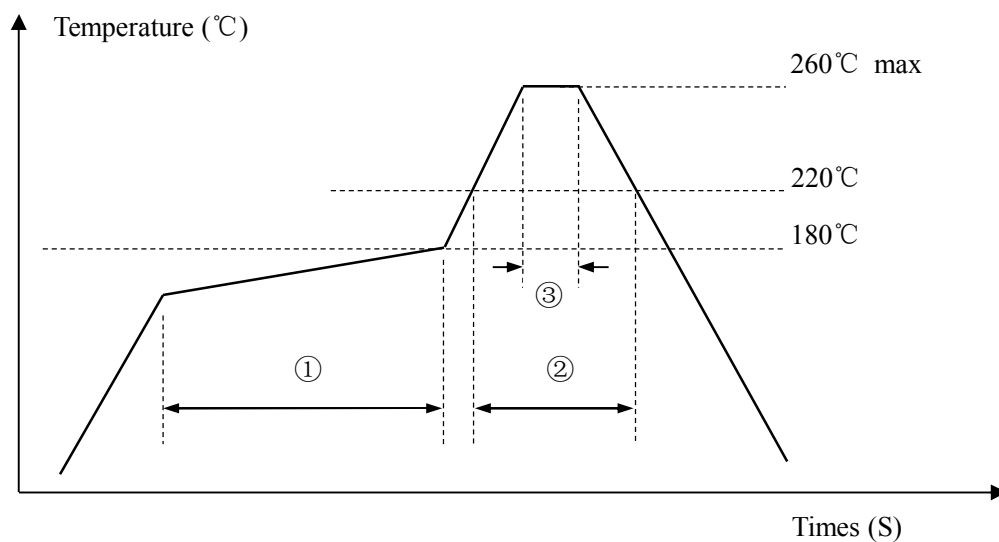
★ PART NUMBER GUIDE 部件号示例 e.g. FTX26.000M9SM1S-10/10B (*SM1S=1.6×1.2 SMD SEAM TYPE)

Logo	Quartz Crystal Resonator 石英晶体谐振器	Frequency 频率 Hz	Load Capacitance 负载电容 pF	Package 盒型	Frequency Tolerance 常温频差 ppm	Frequency Stability 温度频差 ppm	Operating Temp. Range 工作温度
FT	X	26.000M	9	SM1S	10	10	B

Definition	Description
Operating Temperature Range	A: -10~+60°C
	B: -20~+70°C
	C: -30~+80°C
	D: -40~+85°C
	E: Customer specified

★ TAPING SPECIFICATION (Unit: mm) 编带规格


	A	B	C	D	E	F	G
SMD1612	178±2.0	8.0±0.3	1.85±0.05	1.45±0.05	4.0±0.1	0.6±0.1	60.5±1.0
3000 pcs per reel							

★ REFLOW SOLDERING PROFILE 回流焊特性


Pb free reflow A	①	Preheat	160~180°C	120sec. max
	②	Primary heat	220°C	60sec. max
	③	Peak	260°C	10sec. max.