

SMD QUARTZ CRYSTAL RESONATOR
石英晶体谐振器
2 Pad Version 1.6×1.0 mm


- Ultra miniature SMD tuning fork crystal resonator
- 32.768 KHz standard
- ±20 ppm Standard
- Excellent Reliability Performance
- Reflow soldering temperature: 260°C max

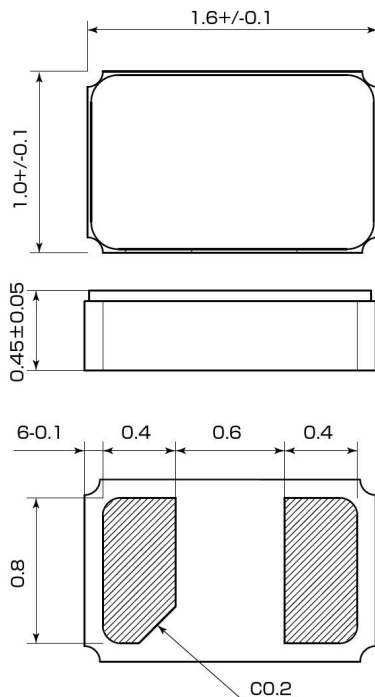


RoHS compliant

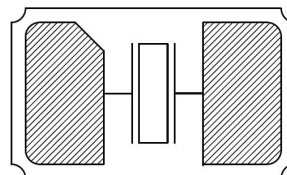
★ PARAMETERS
技术参数

PARAMETERS	参数	SPECIFICATION 规格
Frequency Range	频率范围	32.768KHz
Loading Capacitance	负载电容	12.5pF Std. 9 pF available
Drive Level	激励电平	0.1μW (1.0μW Max)
Frequency Tolerance	频率偏差	±20ppm (at 25°C)
Equivalent Resistance	谐振电阻	90KΩ Max
Turn-over temperature	/	+25°C±5°C
Temperature coefficient	温度曲线系数	-0.04×10 ⁻⁶ /°C ² max
Operating Temp. Range:	工作温度范围	-40~+85°C
Storage Temp. Range:	储存温度范围	-40~+85°C
Aging (25°C, First Year)	老化率	±3ppm max

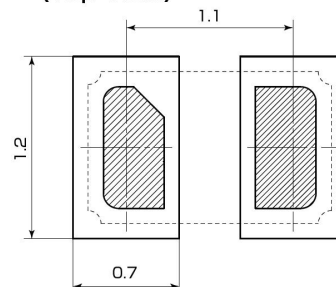
© All specification subject change without notice. 规格变化, 恕不另行通知。

★ DIMENSIONS & LAND PATTERN LAYOUT (Unit: mm) 外形尺寸


<Top View>


Recommended Land Pattern [mm]

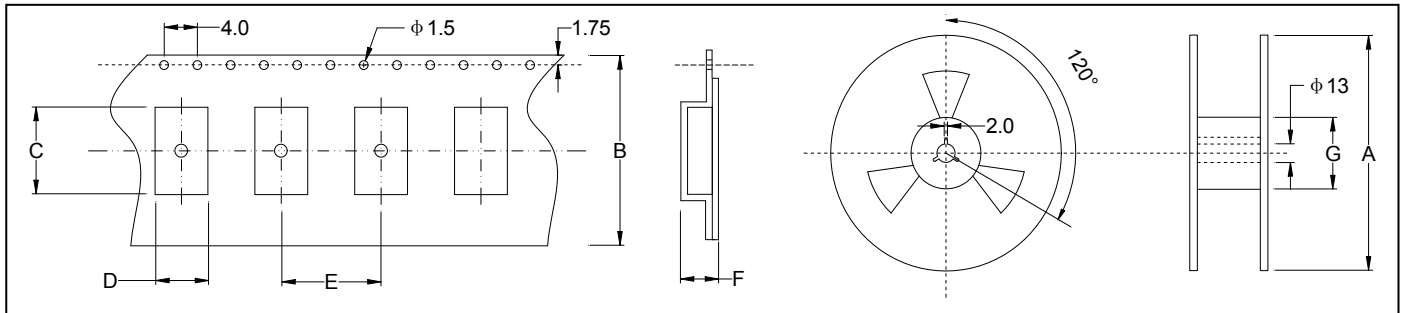
<Top View>


★ PART NUMBER GUIDE 部件号示例

e.g. JXX32.768K12.5SM1 (*SM1=1.6×1.0 SMD)

	Quartz Crystal Resonator 石英晶体谐振器	Frequency 频率	Load Capacitance 负载电容	Package 盒型
JX	X	32.768K	12.5	SM1

★ TAPING SPECIFICATION (Unit: mm) 编带规格



	A	B	C	D	E	F	G
SMD1.6×1.0	180	8.0	1.79	1.28	4.0	0.65	60
3000 pcs per reel							

★ REFLOW SOLDERING PROFILE 回流焊特性

